

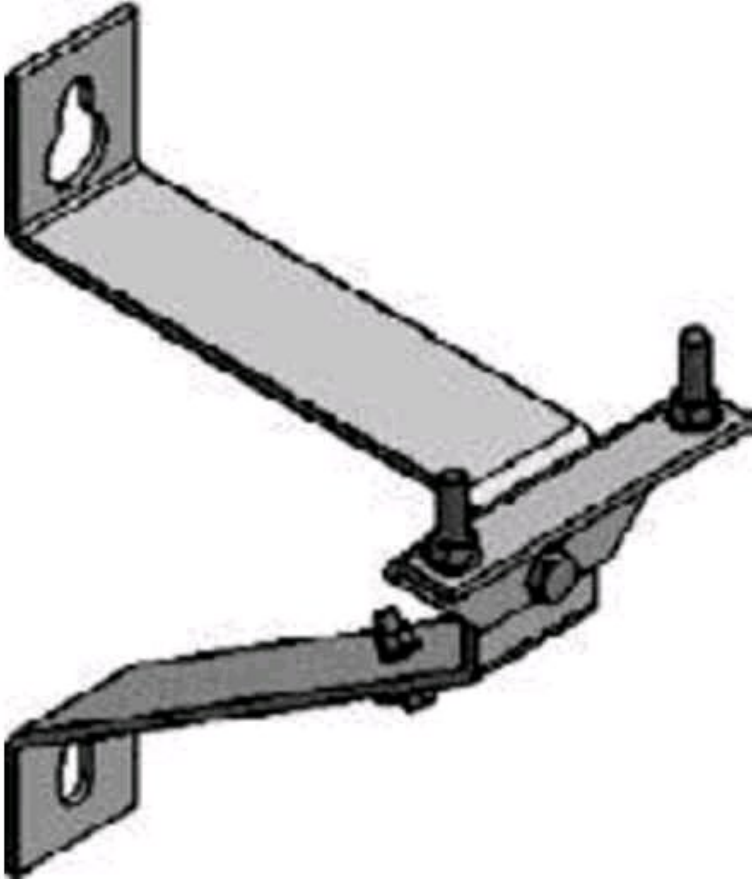
BACA 1710

by CMC

Catalog ID: BACA 1710

Distribution single phase brackets for mounting two pieces of equipment cutouts, arrestors and potheads

- Supplied with mounting bolts, nuts, and lock washers (1/2 x 2)
- Bracket made for mounting to pole with 5/8" thru bolts (not supplied)
- Mounting bolts, nuts, and lock washers are hot dip galvanized



CONNECTOR MANUFACTURING COMPANY

3501 Symmes Road

Hamilton, Ohio 45015 - 1369

513 - 860 - 4455(Press 2 for Customer Service and Sales)

To email customer Service: jrex@cmclugs.com